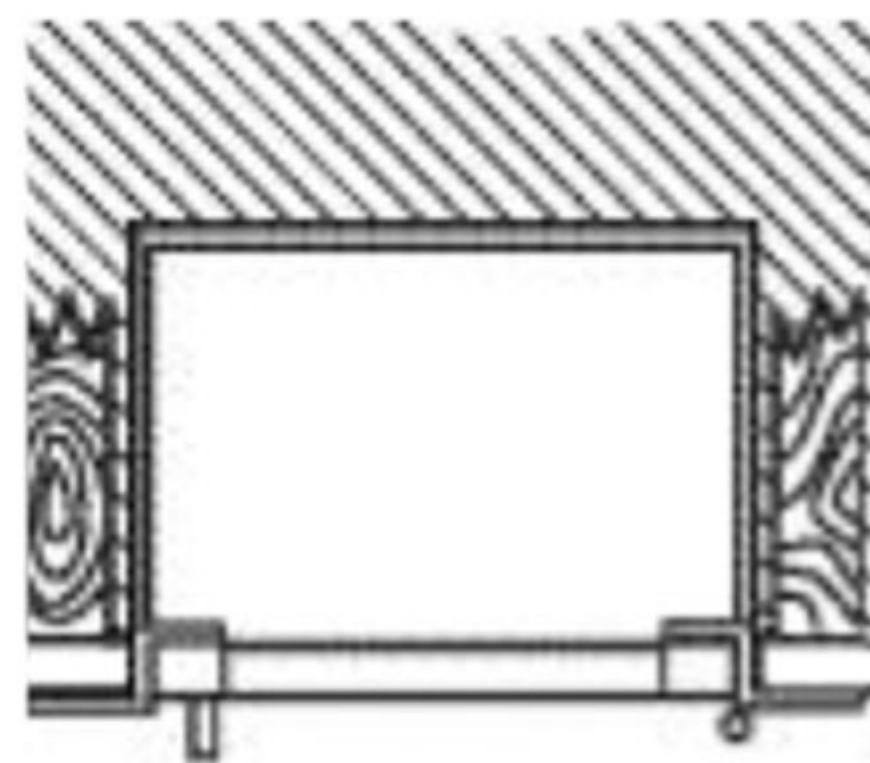
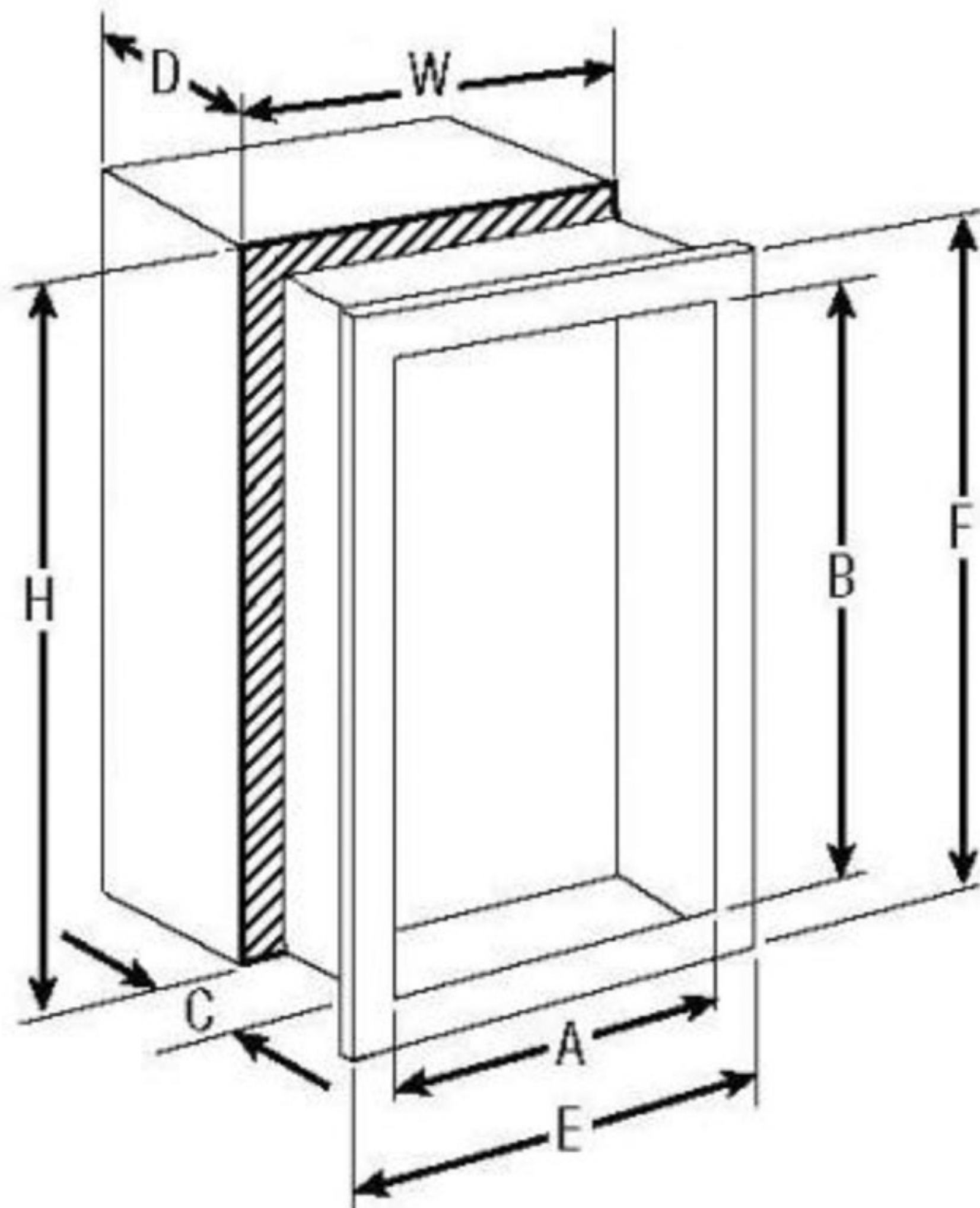


# FX-2 RECESSED TRIM SUBMITTAL : DIMENSIONS

DOOR SERIES #	Tub I.D.			Frame O.D.		Wall Opening		
Model	A	B	C	E	F	W	H	D
18x5	10-1/2	24	5-1/2	13 7/8	27 3/8	12 13/16	26 5/16	6 7/16
10x5	10-1/2	24	6	13 7/8	27 3/8	12 13/16	26 5/16	6 15/16
20x5	12	27	7 3/4	15 3/8	30 3/8	14 5/16	29 5/8	8 11/16



**3/8" Flat Trim**

